



La 6ème promo FAS

vous présente...

Hyotech



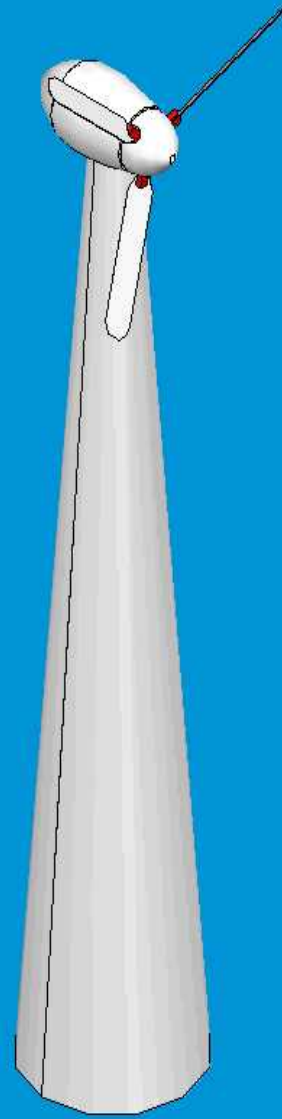
L'Eotech

Caractéristiques techniques :

- **Hauteur : 3 mètres**
- **Envergure : 1,20 mètres**
- **Débit à 60trs/min : 40 L/min**

Technologie:

- **Axe à Excentrique**
- **100% démontable**
- **Élément standard**



Quelques chiffres...

- **28 vis CHC M8**
- **72 éléments assemblés**
- **60 mm de course du piston**
- **Base du pylône: 60 cm de diamètre**
- **20h de modélisation**
- **30h d'assemblage et de perfectionnement**

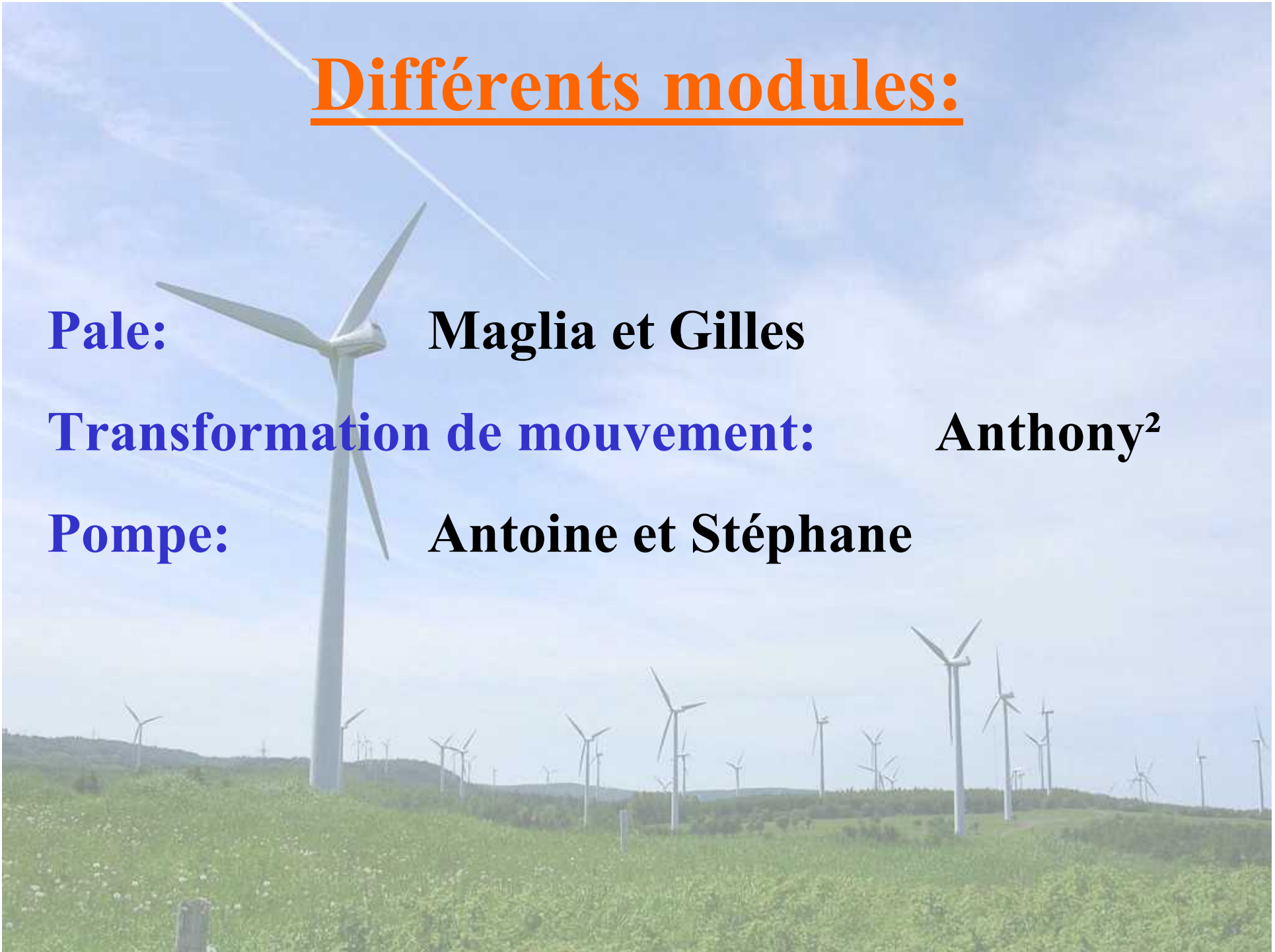


Différents modules:

Pale: Maglia et Gilles

Transformation de mouvement: Anthony²

Pompe: Antoine et Stéphane

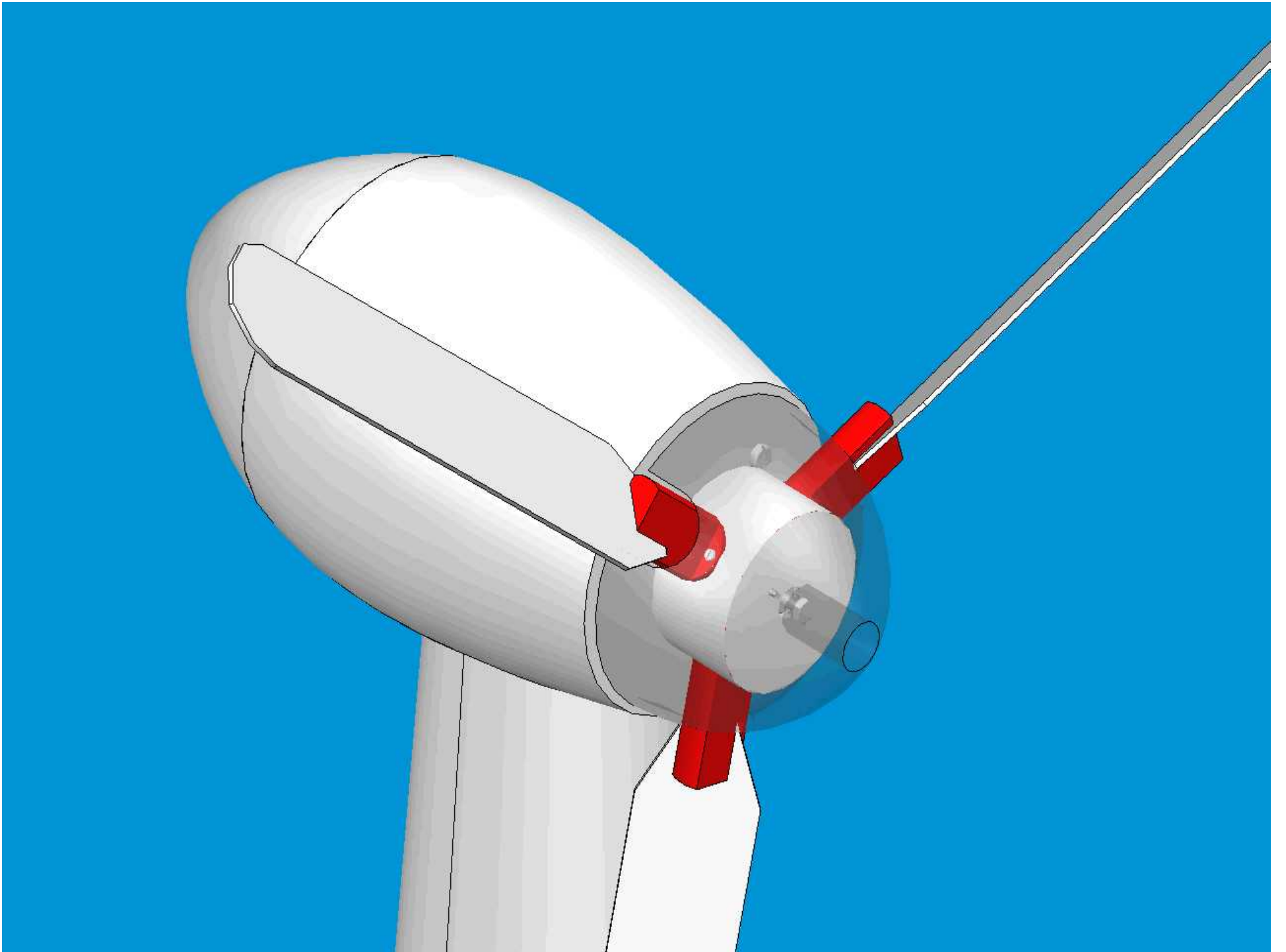


Les pales



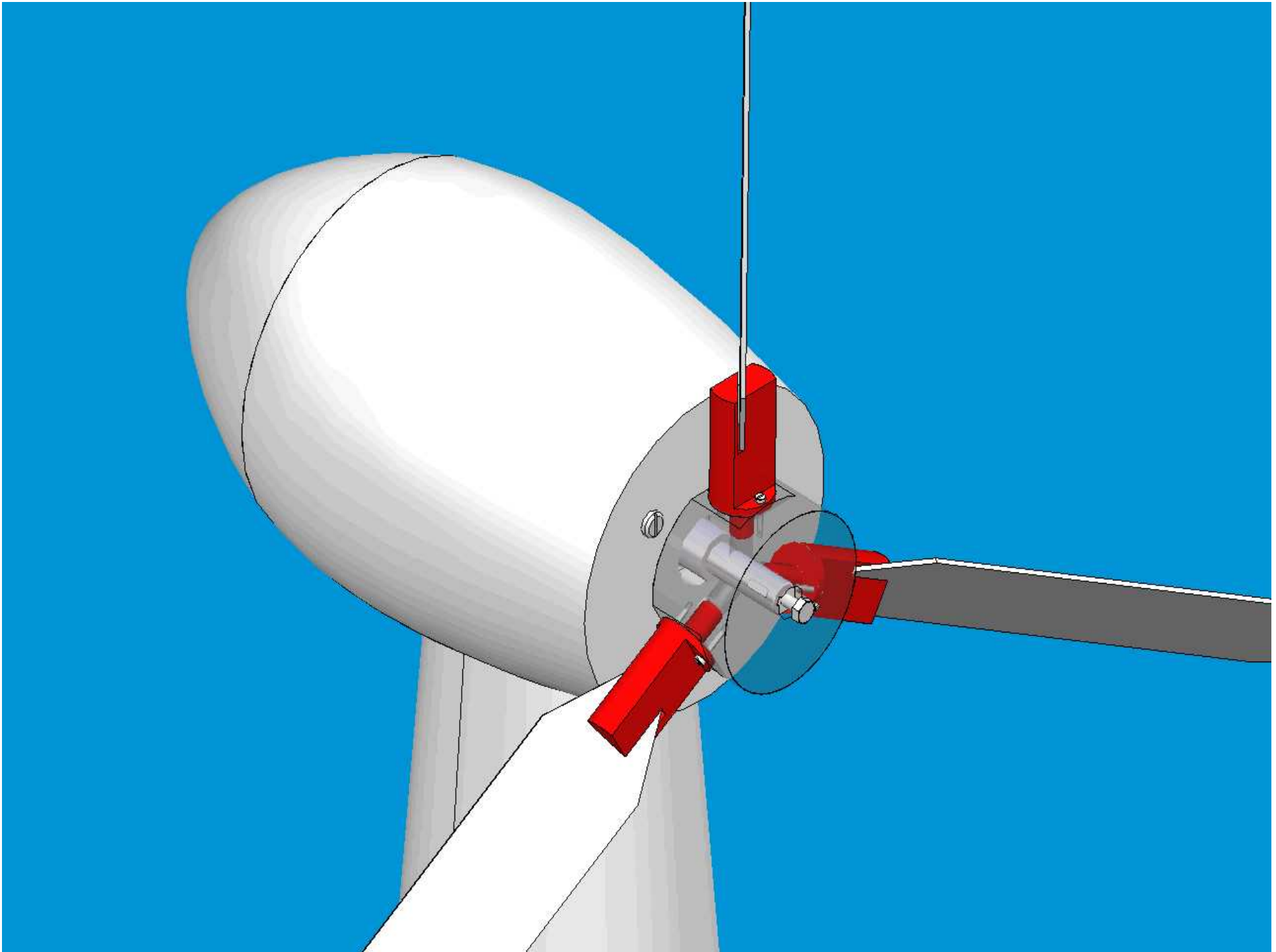


Le carter avant





Fixation

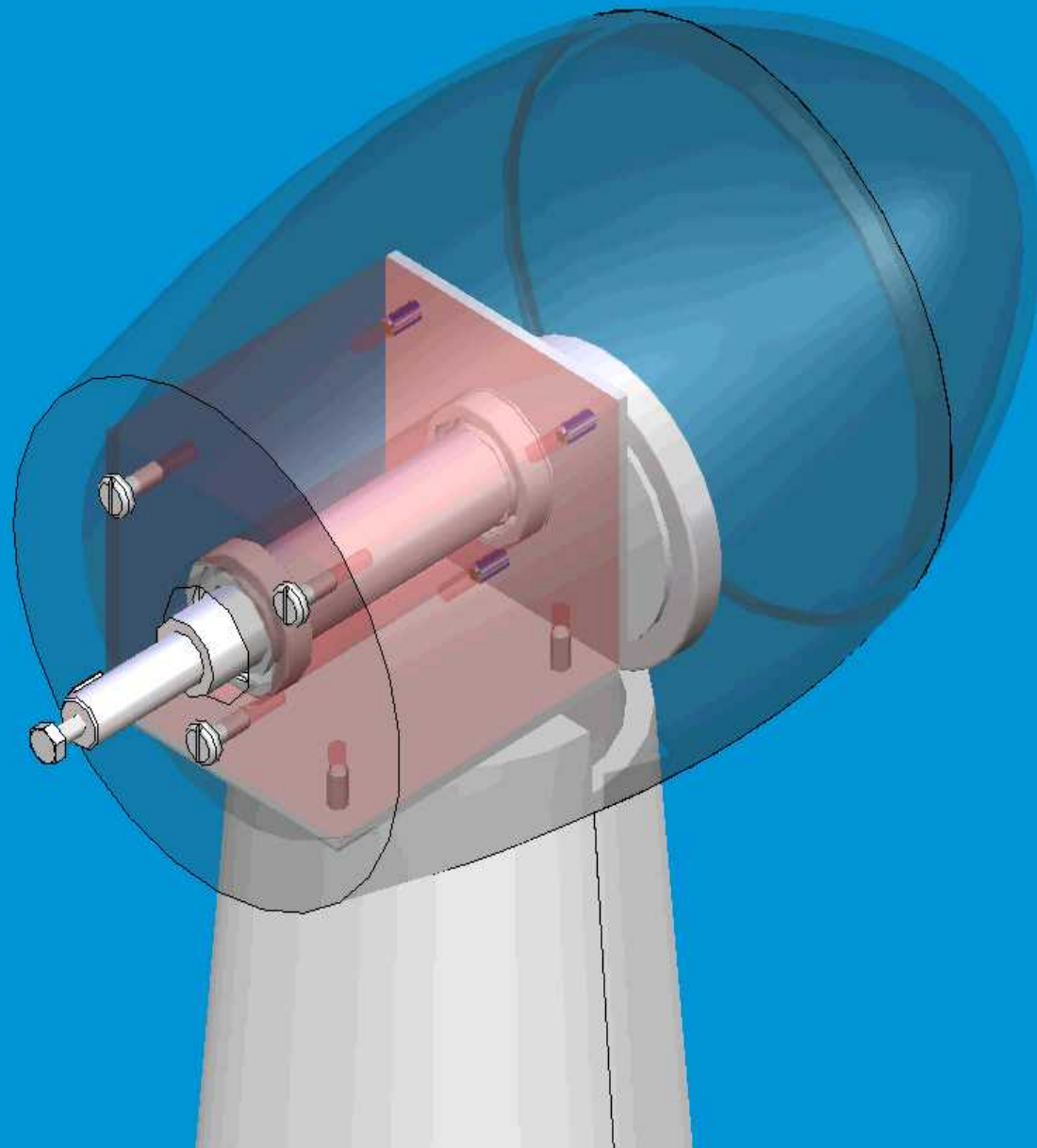


A large wind turbine stands prominently in the foreground on the left side of the image. The background is filled with a vast field of smaller wind turbines stretching across rolling green hills. The sky is a clear, bright blue with scattered, light white clouds. The overall scene depicts a modern wind energy farm in a natural, open landscape.

L'axe

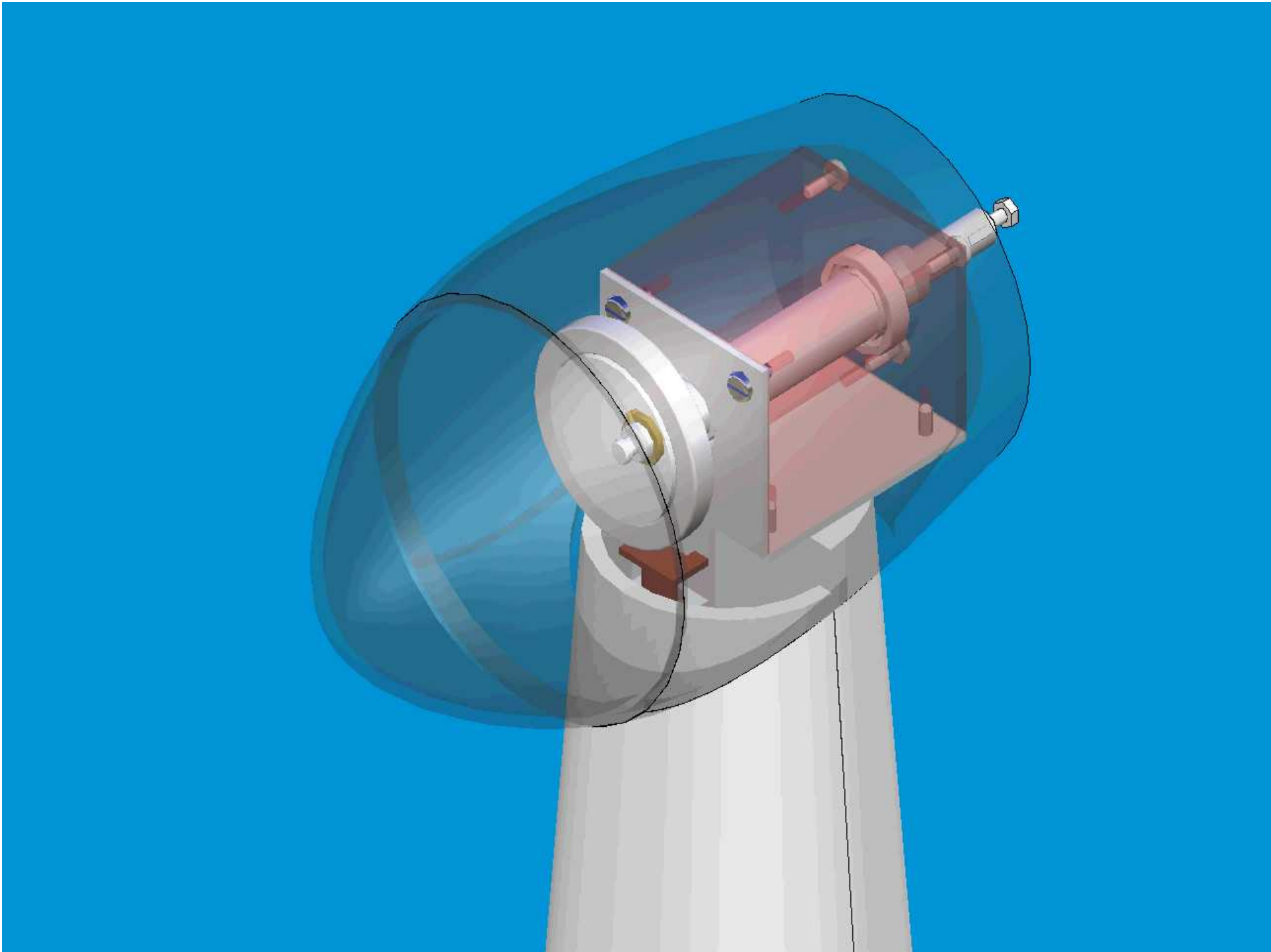
A photograph of a wind farm. In the foreground, a large white wind turbine stands prominently on a green, grassy hill. The sky is a clear, bright blue with some light, wispy clouds. In the background, many other smaller wind turbines are scattered across the landscape, which appears to be a rolling green field. The overall scene is bright and clear.


Le carter



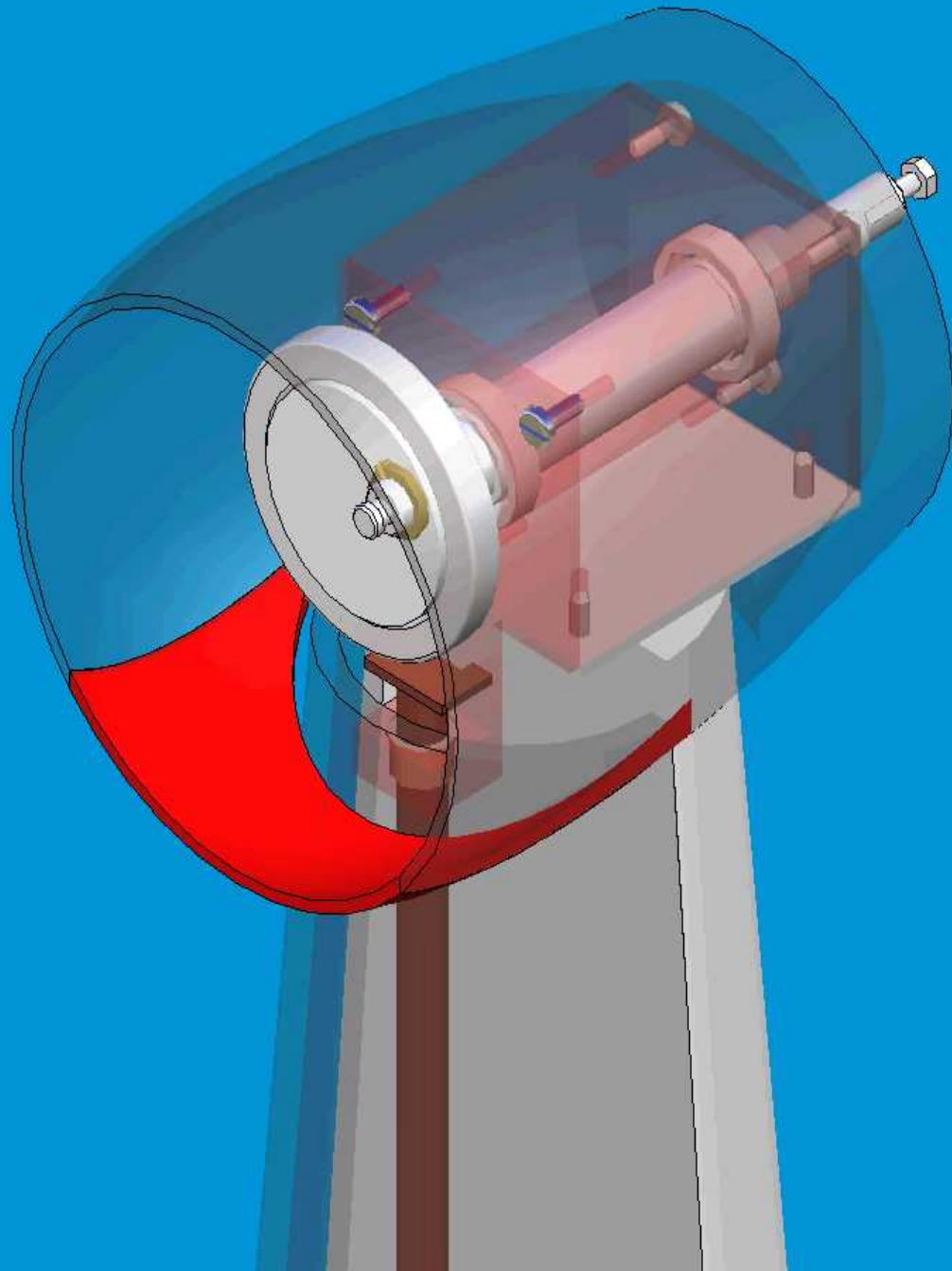
A large wind turbine stands prominently in the foreground on the left side of the image. The turbine is white with three blades. In the background, a series of smaller wind turbines are scattered across a rolling green landscape. The sky is a clear, bright blue with some light, wispy clouds. The overall scene is a typical representation of a wind farm in a rural, hilly area.

L'excentrique



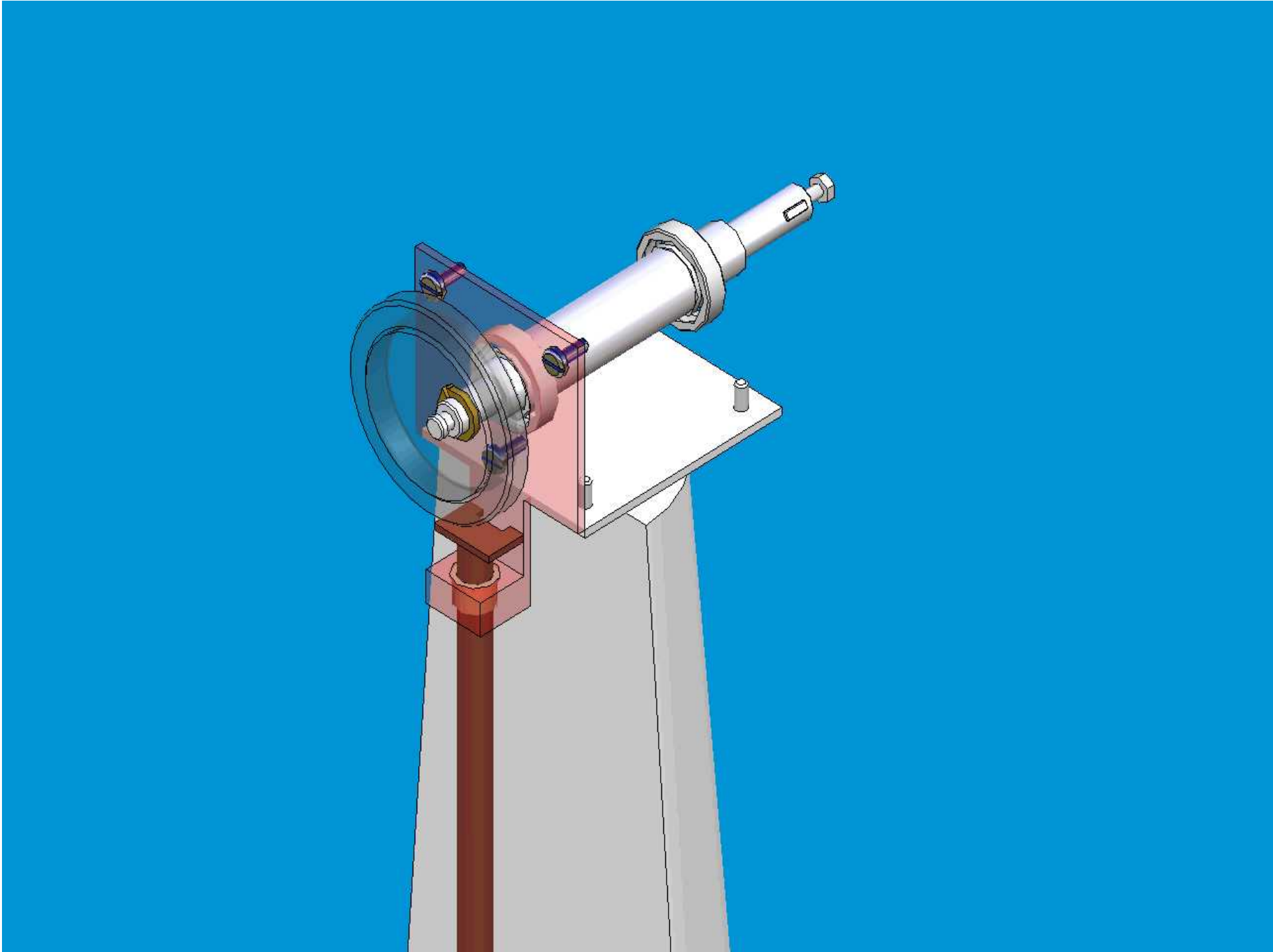


Le rajout...
(ou le casse tête !!)



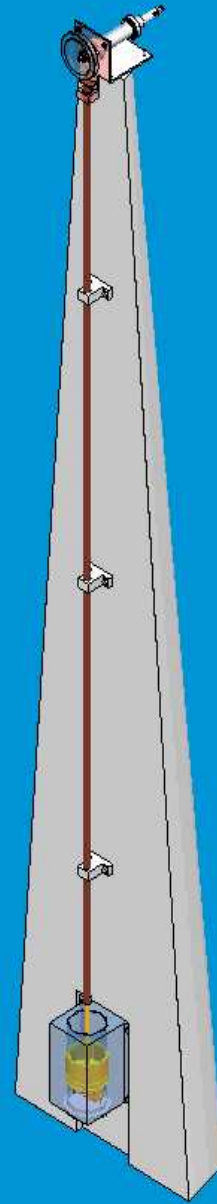


Roulement et Excentrique



A photograph of a wind farm. In the foreground, a large white wind turbine stands prominently on a grassy hill. The background shows a vast field of smaller wind turbines stretching across rolling green hills under a bright blue sky with light, wispy clouds. The text "La tige" is overlaid in the center of the image.

La tige

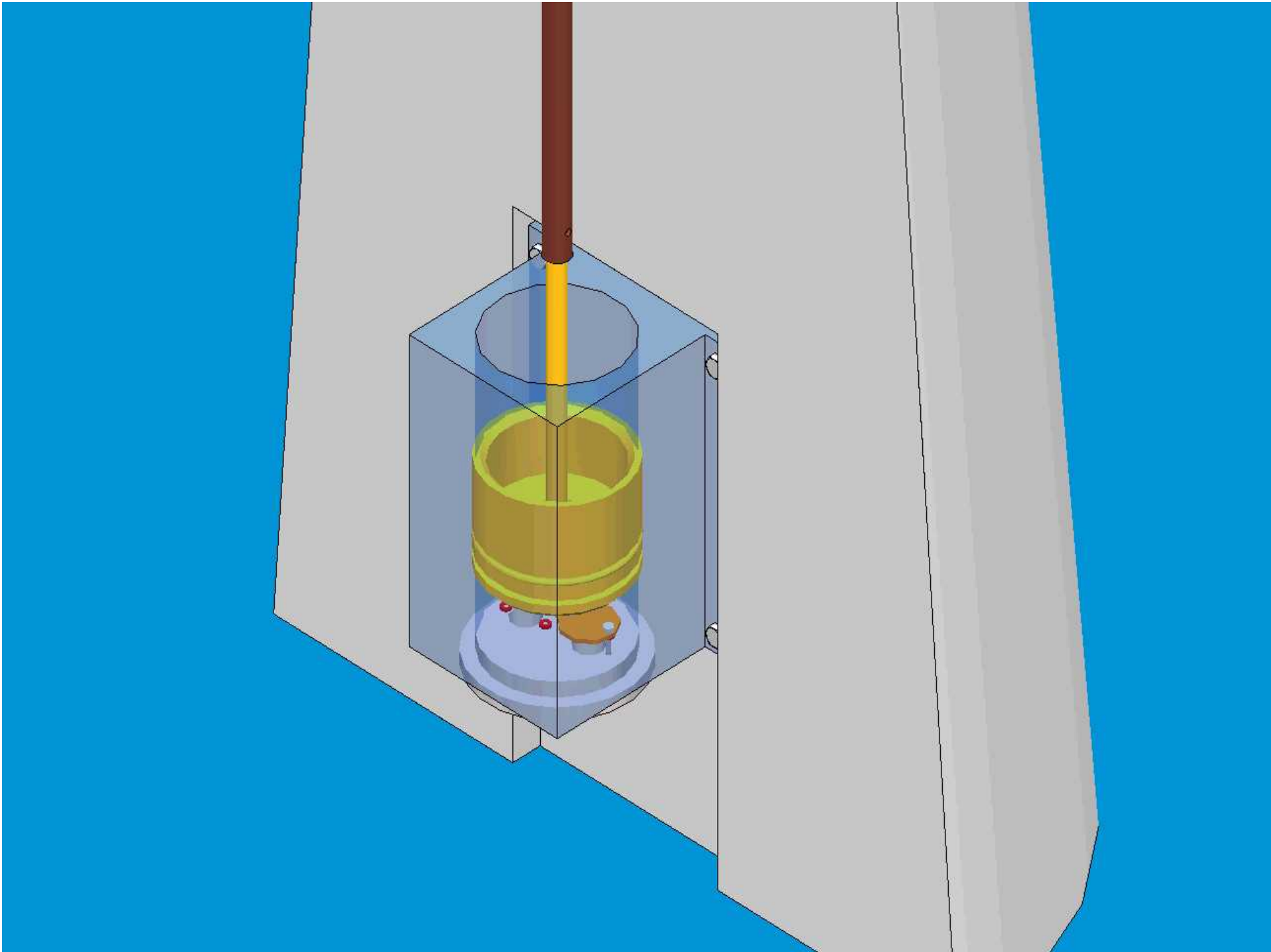


La pompe



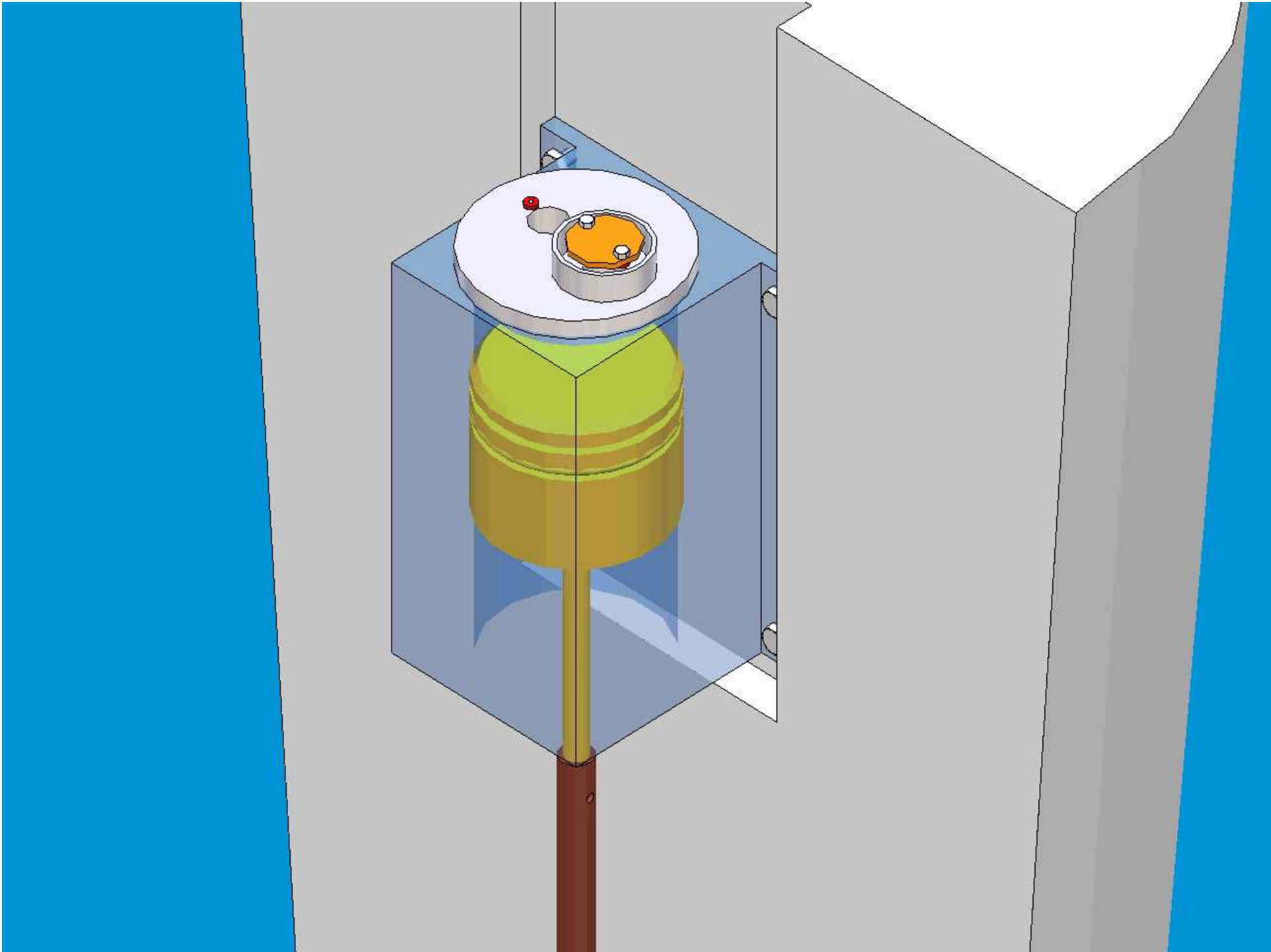
A photograph of a wind farm. In the foreground, a large white wind turbine stands prominently on a grassy hill. The sky is a clear, bright blue with scattered, light white clouds. In the background, a series of rolling green hills are dotted with numerous other wind turbines, creating a sense of a vast renewable energy installation. The overall scene is peaceful and scenic.

Le Piston



A photograph of a wind farm. In the foreground, a large white wind turbine stands prominently on a grassy hill. The sky is a clear, bright blue with scattered, light white clouds. In the background, a vast field of smaller wind turbines stretches across the horizon, following the contours of the land. The overall scene is bright and open.

Les clapets



Au final...

Un design moderne

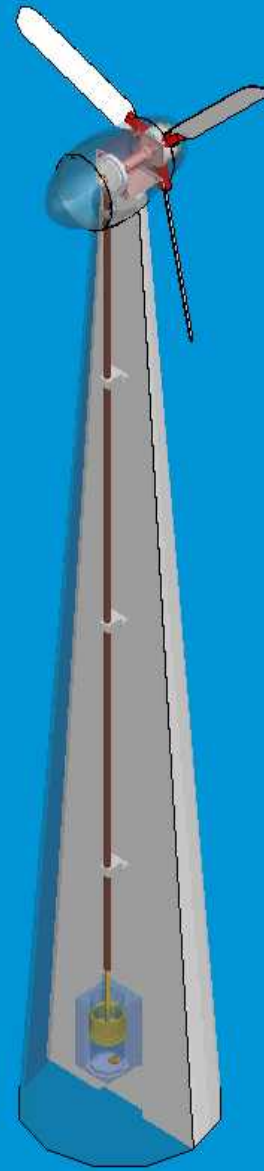
Profil aérodynamique

Matériaux standard (ABS,PVC,Al, etc...)

Fabrication par moulage

Assemblage au tournevis...

**Entièrement démontable et remontable en 24h
chrono...**





Merci de votre attention...



D'après...

Anthony BUONO

Anthony PAUBEL

Antoine CAIRE

Gilles ROSENSWEIG

Maglia MORNET

Stéphane MAS

